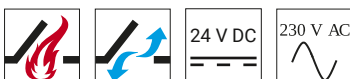
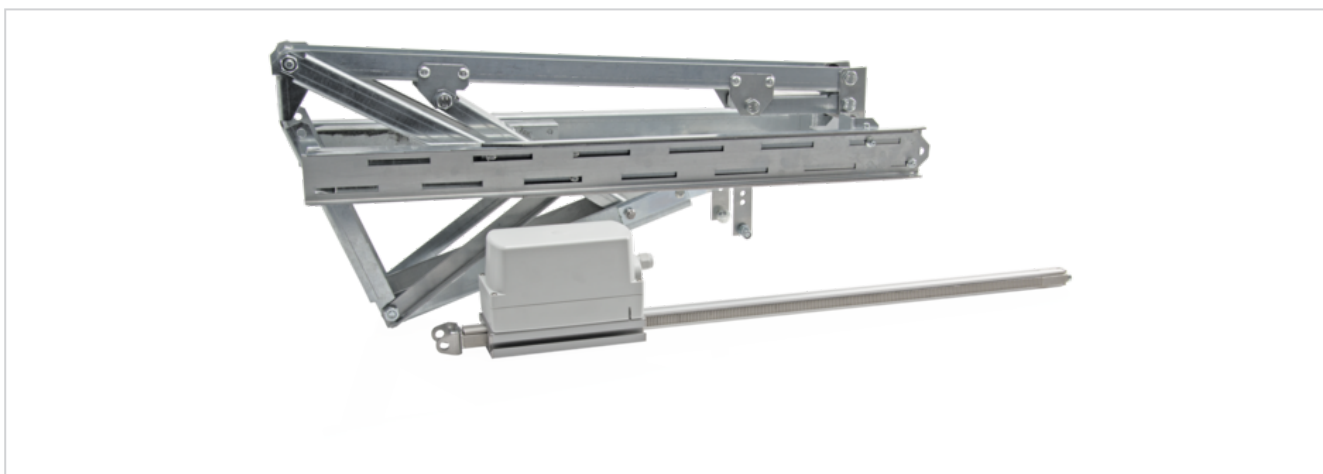


# SDS 2-DU-24V



## Performance features

- + For opening and closing skylights for ventilation and smoke extraction applications
- + System consisting of drive unit and skylight-specific installation set
- + With BSY+ motor and synchronised electronics controlled via microprocessor
- + Service life inspected with at least 20000 opening cycles for ventilation and an additional 1000 opening cycles for smoke extraction in accordance with EN 12101-2
- + Optimal aerodynamic values by quick opening to 172°
- + Power transmission structurally optimised, therefore minimum strain on ventilator frame and hinges
- + High type of protection for drive unit; can therefore also be used under difficult ambient conditions
- + Quick installation and easy handling thanks to modules pre-installed at the factory
- + Installation sets available for many skylights

# Technical data

## Specification per drive unit

### SDS 2-DU-24V

<b>Supply</b>	24 V DC / $\pm 15\%$ / 4 A
<b>Force of pressure</b>	3000 N
<b>Tensile force</b>	3000 N
<b>Nominal locking force</b>	2200 N
<b>Service life</b>	20000 double strokes
<b>OPEN running speed</b>	7.1 mm/s
<b>CLOSED running speed</b>	7.1 mm/s
<b>Wind load class</b>	1500 Pa * **
<b>Snow load class</b>	500 Pa * **
<b>Type of protection</b>	IP 64
<b>Temperature range</b>	-5 °C ... +75 °C
<b>Fire resistance</b>	B300 (30 min / 300 °C)
<b>Connection</b>	2.5 m silicone cable
<b>Weight</b>	18 kg
<b>Art. No.</b>	27.900.01

\* In accordance with EN 12101-2 (inspected with various manufacturers)

\*\* Values for dome size 2.25 m<sup>2</sup>. Change proportional for deviating dome sizes with compatible domes.

# Example of application

