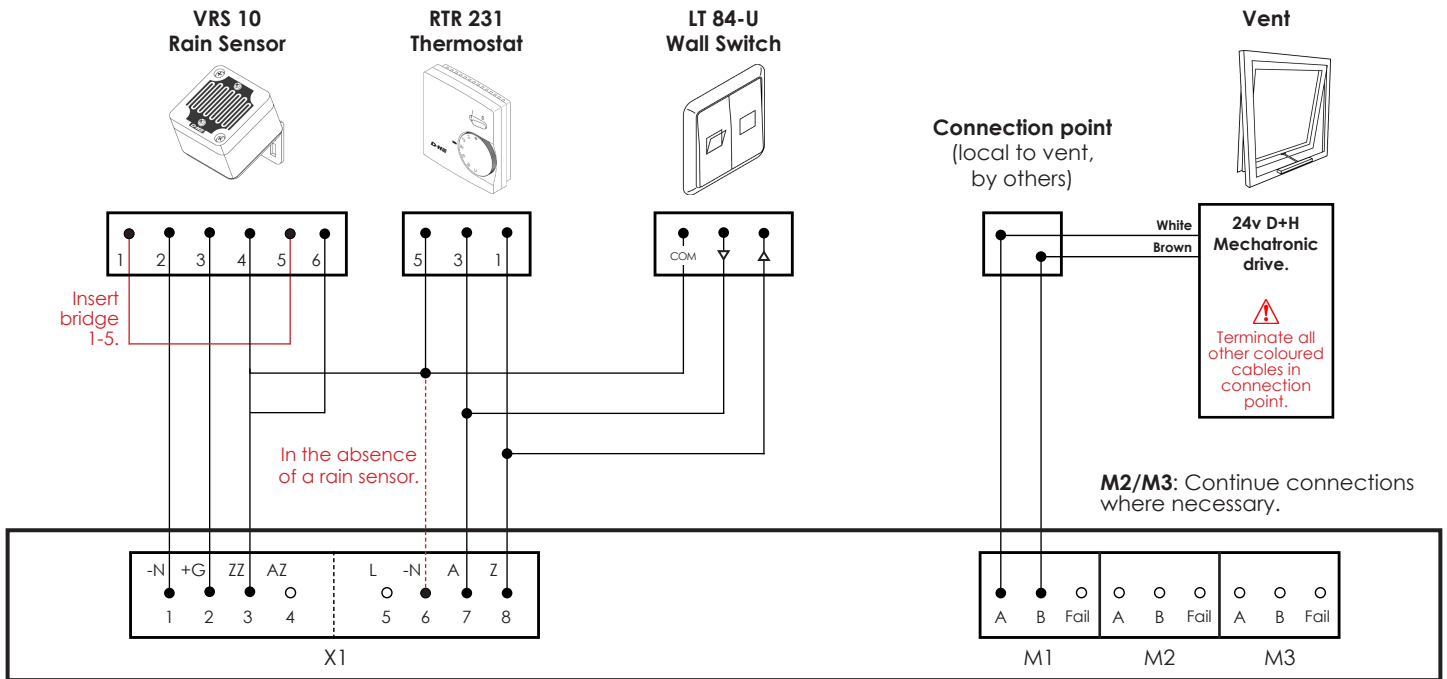


GVL 8301-K Troubleshooting Guide



Operational configuration / faults

Rain Sensor:

- Ensure bridge is installed in rain sensor across terminals 1 and 5.
- Connect the common (-) for thermostat or wall switch through terminal 4 on rain sensor, not directly from the control panel when a rain sensor is in the system.
- Rain sensor will provide a close signal for up to 10 minutes after rain has stopped or the sensor has dried completely.

Thermostat:

- The thermostat will only provide an open or close signal when turned on (I = on, 0 = off).
- If there is no rain sensor in the system the common (-) for thermostat is connected directly into -N, no.6 on the X1 terminal.
- Thermostat will operate on temperature readings 1° above or below the set-point temperature.
E.g. Set-point temperature 20°, open at 21°, close at 19°.

Wall Switch:

- The wall switch will only provide a open or close signal when the thermostat is turned off (I = on, 0 = off).
- If there is no rain sensor in the system the common (-) for wall switch is connected directly into -N, no.6 on the X1 terminal.
- For wall switch operation (latching or non-latching) see diode configuration below.


Drive:

- Check motor terminal connections (M1/M2/M3) in the control panel and local connection point.
- Test power supply from terminals A and B in control panel, minimum of 24v DC should be present on operation.
- If voltage is present on operation and connections are correct, the issue is with the drive(s) and not the controls. See drive instructions for assistance.

Diode Configuration:

- As standard the control panel configuration is set to one-touch operation (drive opening/closing fully from a single press of the switch).
- Cutting the diodes will enable press and hold operation (the drive will only operate while the switch is pressed and held).

 **Not cut:** One-touch operation.

 **Cut:** Press and hold operation.