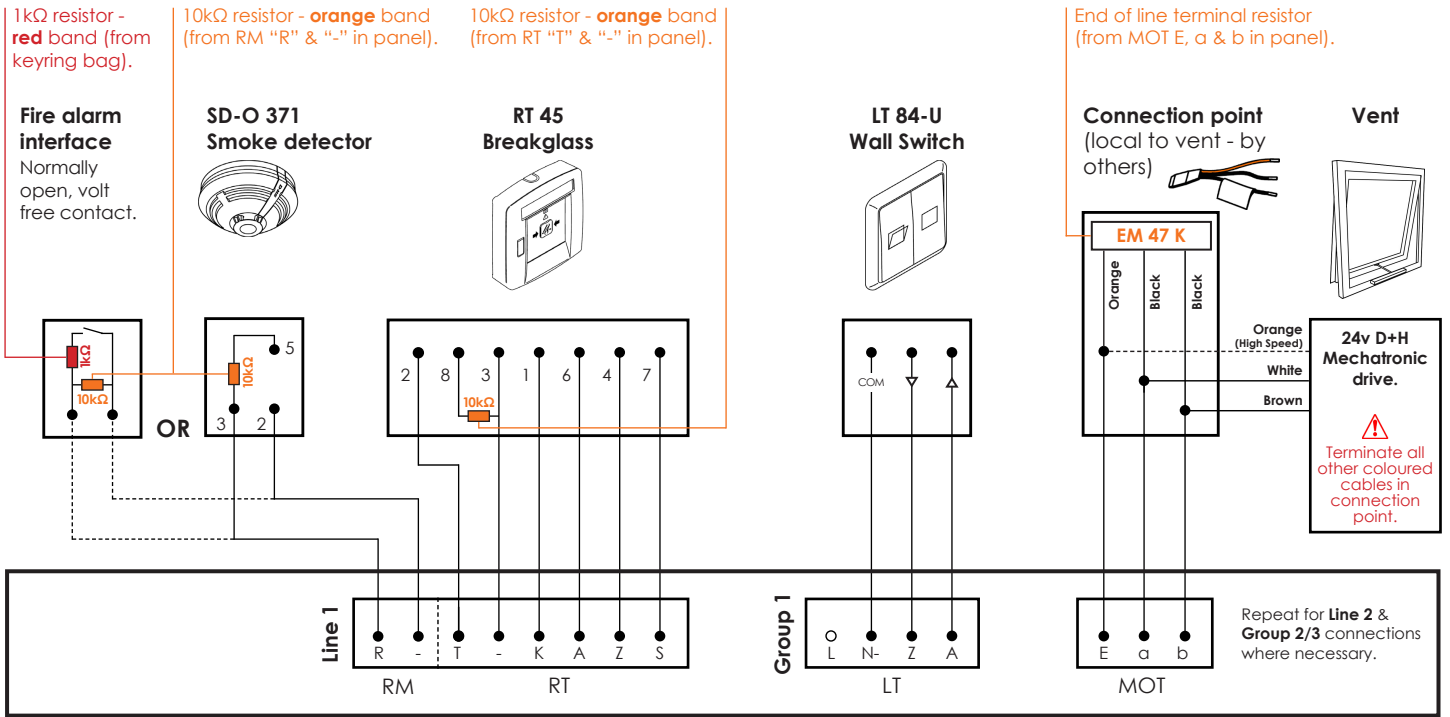
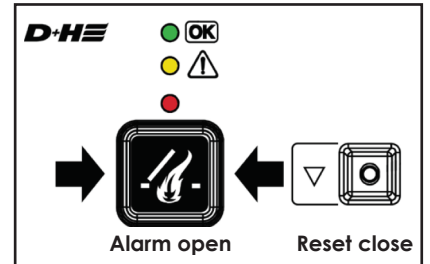


RZN 4416-M Troubleshooting Guide



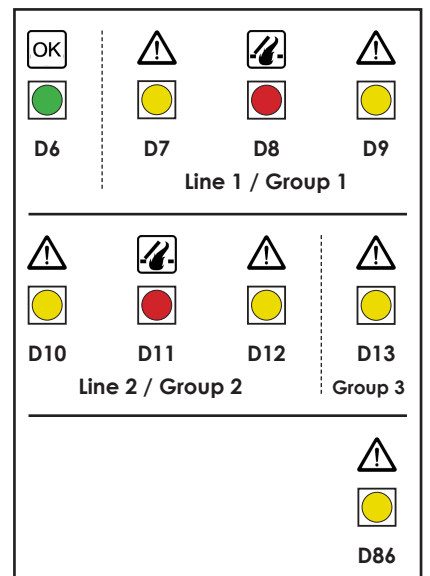
RT 45 breakglass display indications

● + ○ + ○	Solid green - System healthy, no faults.
● + ● + ○	Solid green + flashing yellow - System healthy, no fault. Inbuilt service timer expired. Contact our service department.
○ + ● + ○	Flashing yellow - System fault. See panel indications below.
● + ○ + ●	Solid green + solid red - System healthy + in fire.
○ + ● + ●	Flashing yellow + solid red - System in fault + fire.



Panel display indications

	D6 Control	• System healthy, no faults.
	D7/D10 Line	<ul style="list-style-type: none"> Indicates an issue between the control panel and control elements (fire alarm interface, smoke detector or breakglass). Each control element requires a single 10kΩ end of line resistor. See above detail. If no fire alarm interface or smoke detector in system, leave 10kΩ end of line resistor in RM terminals "R" & "-". Check external signal fuse has not blown.
	D8/D11 Alarm	• System in fire.
	D9/D12/D13 Group	<ul style="list-style-type: none"> Issue between the control panel and the drive(s). Ensure EM 47 K end of line terminal resistor is connected as shown above. Check 6.3 Amp fuse has not blown.
	D86 Battery	• Incorrect connection of the batteries or 3.15 Amp fuse blown.



RZN 4416-M Troubleshooting Guide

Operational faults

Fire alarm interface:

- Confirm signal from interface is normally open volt free.
- 1k Ω triggering resistor and 10k Ω end of line resistor installed as detailed on previous page.

Smoke detector:

- 10k Ω end of line resistor is installed as detailed on previous page.
- Turn smoke detector head clockwise until a click is heard and a physical connection is made between head and base.

Breakglass:

- 10k Ω end of line resistor installed and connections as detailed on previous page.
- Confirm the breakglass terminal connector is firmly secured onto the PCB.
- Check external signal fuse in panel is present and has not blown.

Drive:

- Check MOT terminal connections in the control panel and local connection point.
- Test power supply from MOT terminals a and b in control panel, minimum of 24v DC should be present on operation (fire).
- If voltage is present on operation and connections are correct, the issue is with the drive(s) and not the controls. See drive instructions for assistance.
- If no voltage is present on operation, check 6.3 Amp fuse is present and has not blown.

DIP-Switches:

- For operational set-up (including one-touch reset of system) see control panel instructions.