



# CDP-TW 3000-BSY+



genuine heavy-duty drive for the most demanding force/power requirements: our CDP-TW 3000-BSY+ SHEV chain drive for very large glazed structures.

## Performance features

- + Can be used for openings for smoke ventilation; D+H Euro SHEV in accordance with EN 12101-2; and for daily natural ventilation
- + With BSY+ motor and synchronised electronics controlled via microprocessor
- + High-speed function (HS) for especially fast opening windows in case of fire (SHEV)
- + Option of up to 2 drives in one synchronous group
- + Symmetrical chain outlet for easy installation
- + Relief of pressure on window gasket after closing process
- + Programmable drive functions and different drive parameters
- + Running speed in CLOSED direction decreases to 5 mm/s (passive closing edge protection)
- + Time-controlled reversing when an obstacle is detected in the CLOSED direction (active closing edge protection)

## Approvals / Certificates

Find out about permission details from your D+H Partner.



G 513003



5014066.18001



Article also available with the following permissions under other article numbers. Technical data may deviate.



# Technical data

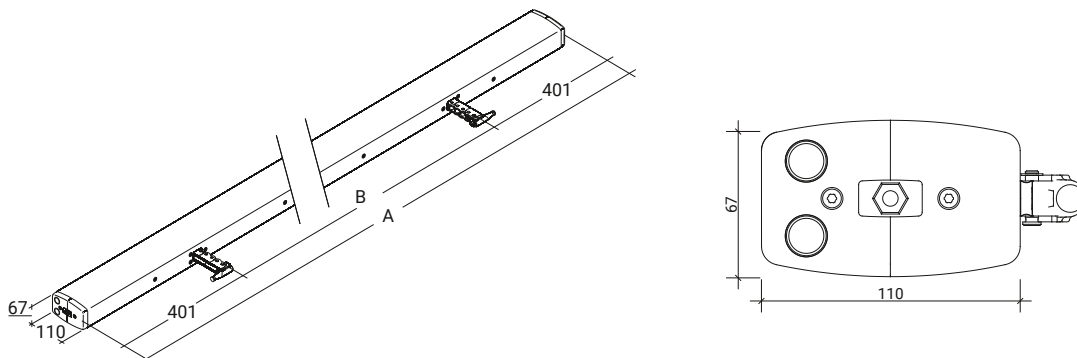
## CDP-TW 3000-BSY+

Supply	24 V DC / $\pm 15\%$ / 8 A
Duty cycle	30 % (ON: 3 min. / OFF: 7 min.)
Force of pressure	3000 N
Tensile force	2000 N
Nominal locking force *	6000 N
Service life	> 10000 double strokes
Stroke	Configurable
OPEN running speed	6 mm/s
OPEN running speed - SHEV	17.7 mm/s
CLOSED running speed	6 mm/s
Type of protection	IP 32
Emission sound pressure level	$LpA \leq 70$ dB(A)
Temperature range	-15 °C (-5 °C **) ... +75 °C
Fire resistance	B300 (30 min / 300 °C)
Housing	Aluminium
Colour	Configurable (Special colour according to RAL/DB/NCS)
Connection	Configurable
Dimension A	Configuration dependent
Dimension B	Configuration dependent
Remark	Variable equipment possible
Art. No.	26.601.00

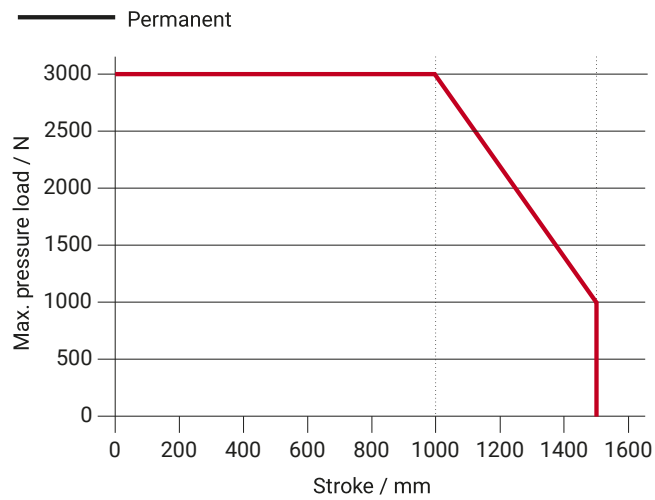
\* Depending on the mounting, \*\* in accordance with VdS 2580

## Dimensions

All specifications in mm



# Pressure load diagram



## Possible applications

- + Mounted installation
- + Frame mounting
- + Application force
- + Application tension

