



KA 66-TW-K



Direct 230 V supply: our KA 66-TW-K has 2 chains each with a force of pressure of 300 N to smoothly open sashes. Get more information!

Performance features

- + Can be used for openings for smoke ventilation; D+H Euro SHEV in accordance with EN 12101-2; and for daily natural ventilation
- + With BSY+ motor and synchronised electronics controlled via microprocessor
- + Direct control via 230 V AC
- + 2 drive chains for optimal power application to the sash
- + Special chain stabilisation
- + Relief of pressure on window gasket after closing process
- + Electronic force and position control
- + Programmable drive functions and different drive parameters
- + Running speed in CLOSED direction decreases to 5 mm/s (passive closing edge protection)
- + Time-controlled reversing when an obstacle is detected in the CLOSED direction (active closing edge protection)

Approvals / Certificates

Find out about permission details from your D+H Partner.



Article also available with the following permissions under other article numbers. Technical data may deviate.



Technical data

KA 66-TW-K

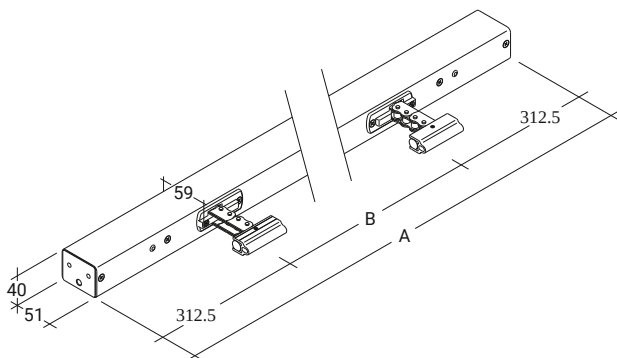
Duty cycle	30 % (ON: 3 min. / OFF: 7 min.)
Force of pressure	600 N
Tensile force	600 N
Nominal locking force **	3000 N
Service life	20000 double strokes *
Stroke	Configurable
OPEN running speed	12.2 mm/s
OPEN running speed - SHEV	16.1 mm/s
CLOSED running speed	11.8 mm/s
Type of protection	IP 32
Emission sound pressure level	LpA ≤ 70 dB(A)
Temperature range	-15 °C (-5 °C ***) ... +75 °C
Housing	Aluminium
Surface	Powder-coated
Connection	Configurable
Dimension A	0 mm
Dimension A	Configuration dependent
Dimension B	Configuration dependent
Art. No.	26.014.00

* For vertical use, please consult with D+H Sales!

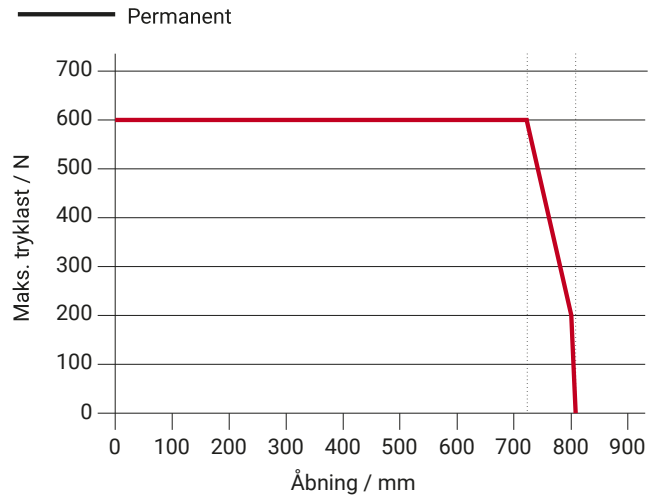
** Depending on the mounting, *** in accordance with VdS 2580

Dimensions

All specifications in mm



Pressure load diagram



Possible applications

- + Mounted installation
- + Frame mounting
- + Sash mounting
- + Application force
- + Application tension

