

KA 34/1000-BSY+ Set



BSY+ set consisting of: Standard + left-hand "L" drive

The chain drive set is especially quiet in ventilation mode and opens your window within 60 seconds in case of fire with the help of its high-speed function.

Performance features

- + Can be used for openings for smoke ventilation; D+H Euro SHEV in accordance with EN 12101-2; and for daily natural ventilation
- + With BSY+ motor and synchronised electronics controlled via microprocessor
- + High-speed function (HS) for especially fast opening windows in case of fire (SHEV)
- + Option of up to 8 drives in one synchronous group
- + Supply and signals at KA 34-BSY+ for up to 3 drives can be looped in series
- + Special chain stabilisation
- + Relief of pressure on window gasket after closing process
- + Programmable drive functions and different drive parameters
- + Running speed in CLOSED direction decreases to 5 mm/s (passive closing edge protection)
- + Time-controlled reversing when an obstacle is detected in the CLOSED direction (active closing edge protection)

Approvals / Certificates

Find out about permission details from your D+H Partner.



Article also available with the following permissions under other article numbers. Technical data may deviate.



Technical data

Specification per drive

KA 34/1000-BSY+ Set

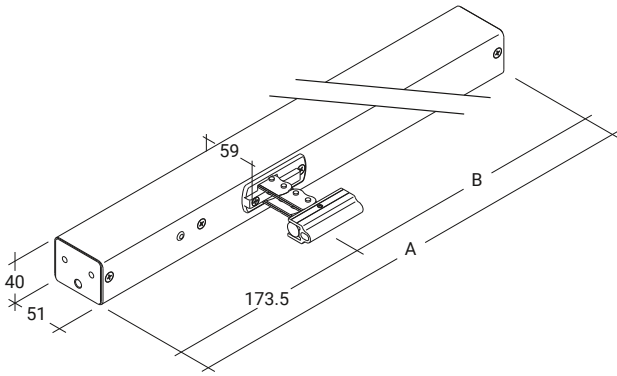
| | |
|-------------------------------|---------------------------------|
| Supply | 24 V DC / $\pm 15\%$ / 1 A |
| Duty cycle | 30 % (ON: 3 min. / OFF: 7 min.) |
| Force of pressure | 300 N |
| Tensile force | 300 N |
| Nominal locking force ** | Max. 2600 N (2000 N ***) |
| Service life | 20000 double strokes * |
| Stroke | 1000 mm |
| OPEN running speed | 11.8 mm/s |
| OPEN running speed - SHEV | 12.2 mm/s |
| CLOSED running speed | 11.8 mm/s |
| Type of protection | IP 32 |
| Emission sound pressure level | LpA \leq 70 dB(A) |
| Temperature range | -15 °C (-5 °C ***) ... +75 °C |
| Fire resistance | B300 (30 min / 300 °C) |
| Housing | Aluminium |
| Surface | Powder-coated |
| Colour | White aluminium (~ RAL 9006) |
| Connection | 2.5 m silicone cable |
| Dimension A | 750 mm |
| Dimension B | 576.5 mm |
| W x H x D | 750 x 40 x 59 mm |
| Weight | 3 kg |
| Remark | Observe pressure load diagram! |
| Art. No. | 26.010.35 |

* For vertical use, please consult with D+H Sales!

** Depending on the mounting, *** in accordance with VdS 2580

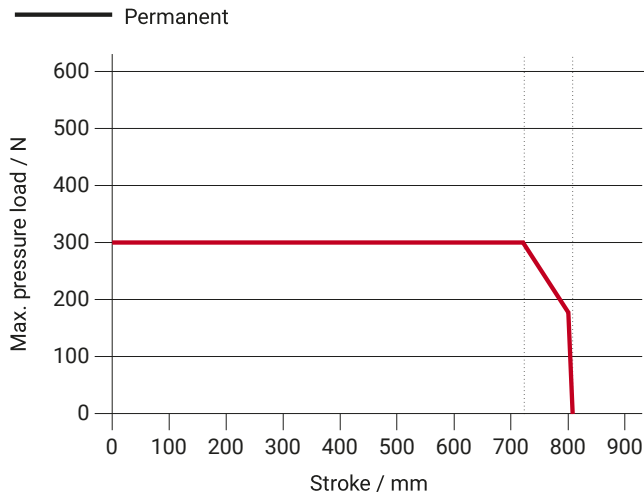
Dimensions

All specifications in mm



Pressure load diagram

Specification per drive



Possible applications

- + Mounted installation
- + Application tension
- + Frame mounting
- + Drawbridge application
- + Sash mounting
- + Application force

