

KA-0300-1-ACB



ACB bus technology allows multiple drives in the 300 N KA 34 chain drive to be controlled at the same time. A wide variety of bracket solutions for mounted installation make it a universal classic in the D+H product range.

Performance features

- + Can be used for openings for smoke exhaust; D+H Euro SHEV in accordance with EN 12101-2; and for daily ventilation
- + Option of up to 8 drives in one synchronous group
- + High-speed function (HS) for especially fast opening windows in case of fire (SHEV) (Notice: High-speed function via ACB only possible with CPS-M or CPS-B)
- + Special chain stabilisation
- + Relief of pressure on window gasket after closing process
- + Programmable drive functions and different drive parameters
- + Time-controlled reversing when an obstacle is detected in the CLOSED direction (active closing edge protection)
- + Integrated ACB (Advanced Communication Bus) bus interface with Modbus RTU protocol
- + The drive is integrated directly via open bus communication through the ACB (Advanced Communication Bus), e.g. in a building management system

Approvals / Certificates

Find out about permission details from your D+H Partner.



Technical data

KA-0300-1-ACB

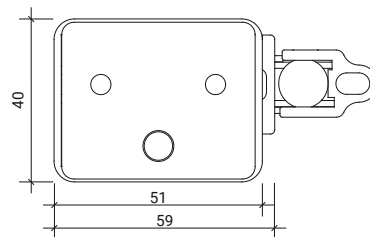
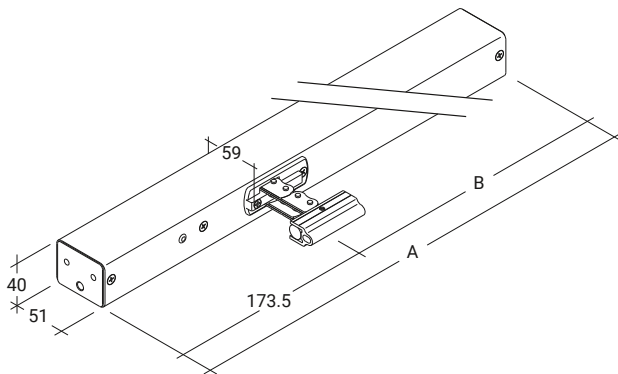
Supply	24 V DC / $\pm 15\%$ / 1 A
Duty cycle	30 % (ON: 3 min. / OFF: 7 min.)
Force of pressure	300 N
Tensile force	300 N
Nominal locking force **	Max. 2600 N (2000 N ***)
Service life	20000 double strokes *
Stroke	Configurable
OPEN running speed	7 mm/s
OPEN running speed - SHEV	12.2 mm/s
CLOSED running speed	7 mm/s
Type of protection	IP 32
Emission sound pressure level	$LpA \leq 70$ dB(A)
Temperature range	-15 °C (-5 °C ***) ... +75 °C
Fire resistance	B300 (30 min / 300 °C)
Housing	Aluminium
Surface	Powder-coated
Connection	Silicone cable
Dimension A	0 mm
Dimension B	0 mm
Weight	0 kg
Remark	Variable equipment possible
Art. No.	26.021.00

* For vertical use, please consult with D+H Sales!

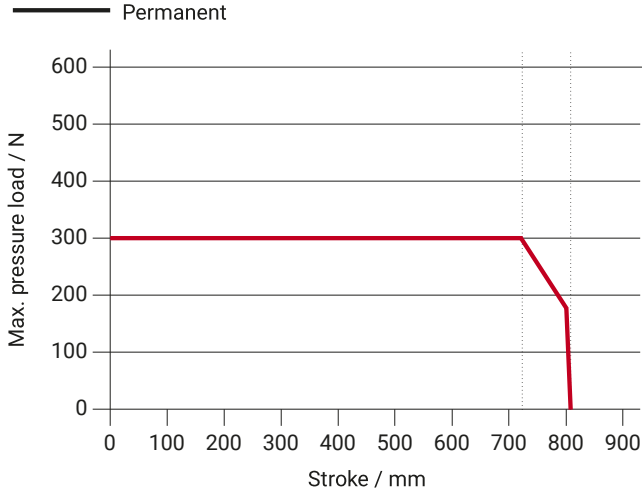
** Depending on the mounting, *** in accordance with VdS 2580

Dimensions

All specifications in mm



Pressure load diagram



Possible applications

- + Mounted installation
- + Application tension
- + Frame mounting
- + Drawbridge application
- + Sash mounting
- + Application force

