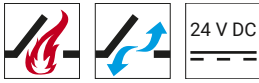


KA 54-BSY+



BSY+ set consisting of: Standard + left-hand "L" drive

Set of two powerful KA 54 SHEV chain drives, supplemented by BSY+ technology for control with millimetre precision. Only for mounted installation.

Performance features

- + Can be used for openings for smoke exhaust; D+H Euro SHEV in accordance with EN 12101-2; and for daily ventilation
- + With BSY+ motor and synchronised electronics controlled via microprocessor
- + High-speed function (HS) for especially fast opening windows in case of fire (SHEV)
- + Option of up to 8 drives in one synchronous group
- + Supply and signals at KA 54-BSY+ for up to 2 drives can be looped in series
- + Special chain stabilisation
- + Relief of pressure on window gasket after closing process
- + Programmable drive functions and different drive parameters
- + Running speed in CLOSED direction decreases to 5 mm/s (passive closing edge protection)
- + Time-controlled reversing when an obstacle is detected in the CLOSED direction (active closing edge protection)

Approvals / Certificates

Find out about permission details from your D+H Partner.



Article also available with the following permissions under other article numbers. Technical data may deviate.



Technical data

KA 54-BSY+

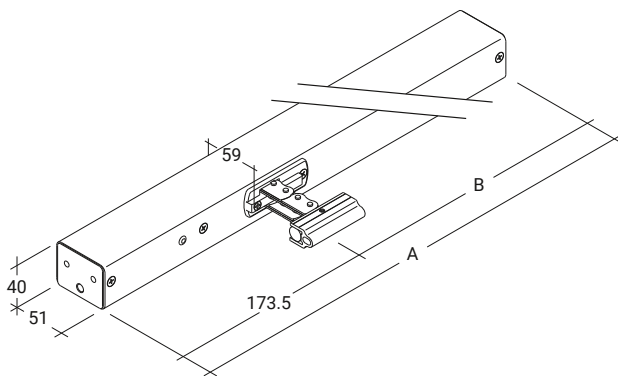
Supply	24 V DC / $\pm 15\%$ / 1.4 A
Duty cycle	30 % (ON: 3 min. / OFF: 7 min.)
Force of pressure	500 N
Tensile force	500 N
Nominal locking force **	Max. 2600 N (2000 N ***)
Service life	20000 double strokes *
Stroke	Configurable
OPEN running speed	11.8 mm/s
OPEN running speed - SHEV	13.3 mm/s
CLOSED running speed	11.8 mm/s
Type of protection	IP 32
Emission sound pressure level	LpA ≤ 70 dB(A)
Temperature range	-15 °C (-5 °C ***) ... +75 °C
Housing	Aluminium
Surface	Powder-coated
Connection	Configurable
Art. No.	26.010.00

* For vertical use, please consult with D+H Sales!

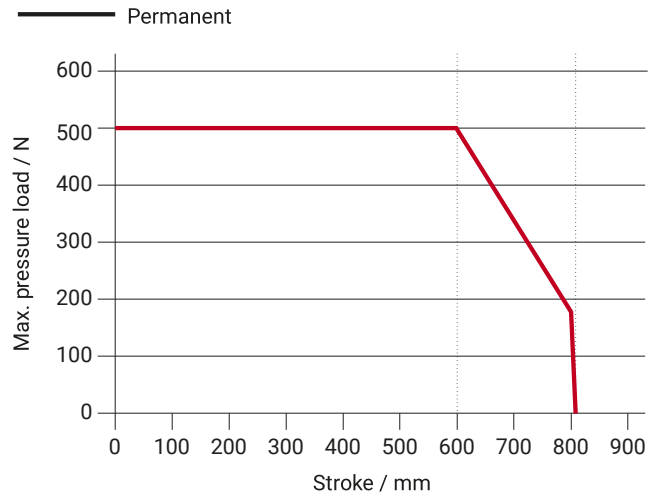
** Depending on the mounting, *** in accordance with VdS 2580

Dimensions

All specifications in mm



Pressure load diagram



Possible applications

- + Mounted installation
- + Application tension
- + Frame mounting
- + Drawbridge application
- + Sash mounting
- + Application force

