

KA 34-K



Reliability in 230 V: The SHEV KA 34-K chain drive offers many advantages for easy installation and opening windows conveniently.

Performance features

- + Can be used for openings for smoke exhaust; D+H Euro SHEV in accordance with EN 12101-2; and for daily ventilation
- + With motor electronics controlled via microprocessor
- + Direct control via 230 V AC
- + Special chain stabilisation
- + Relief of pressure on window gasket after closing process
- + Pressure applications up to 700 mm, application tension stroke lengths >1000 mm possible
- + Easy window control via 230 V AC ventilation button
- + Adjustable electronic closing force optimisation
- + Running speed in CLOSED direction decreases to 5 mm/s (passive closing edge protection)
- + Time-controlled reversing when an obstacle is detected in the CLOSED direction (active closing edge protection)

Approvals / Certificates

Find out about permission details from your D+H Partner.



Technical data

KA 34-K

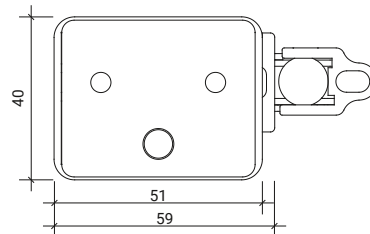
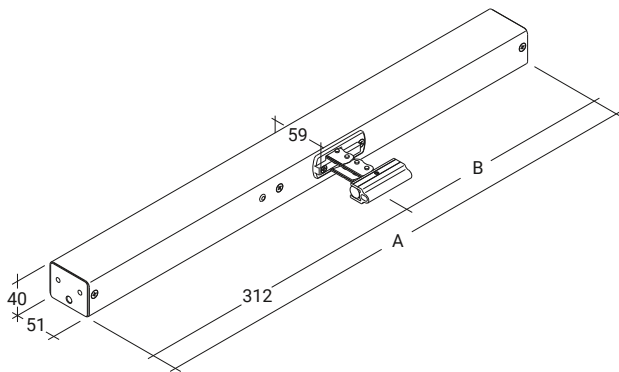
| | |
|-------------------------------|------------------------------------|
| Supply | 230 V AC / +10 % ... -15 % / 50 Hz |
| Performance | 24 W / 40 VA |
| Duty cycle | 30 % (ON: 3 min. / OFF: 7 min.) |
| Force of pressure | 300 N |
| Tensile force | 300 N |
| Nominal locking force ** | Max. 2600 N (2000 N ***) |
| Service life | 20000 double strokes * |
| OPEN running speed | 12.1 mm/s |
| CLOSED running speed | 11.8 mm/s |
| Type of protection | IP 32 |
| Emission sound pressure level | LpA ≤ 70 dB(A) |
| Temperature range | -15 °C (-5 °C ***) ... +75 °C |
| Fire resistance | B300 (30 min / 300 °C) |
| Housing | Aluminium |
| Surface | Powder-coated |
| Colour | White aluminium (~ RAL 9006) |
| Connection | 2.5 m silicone cable |
| Art. No. | 26.005.00 |

* For vertical use, please consult with D+H Sales!

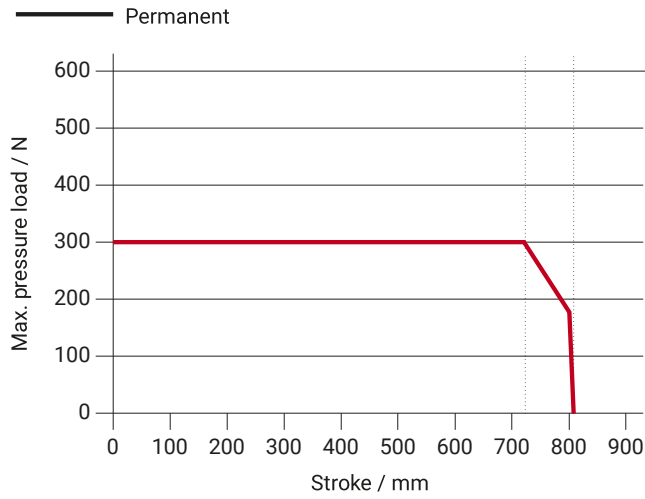
** Depending on the mounting, *** in accordance with VdS 2580

Dimensions

All specifications in mm



Pressure load diagram



Possible applications

- + Mounted installation
- + Frame mounting
- + Sash mounting
- + Application force
- + Application tension

