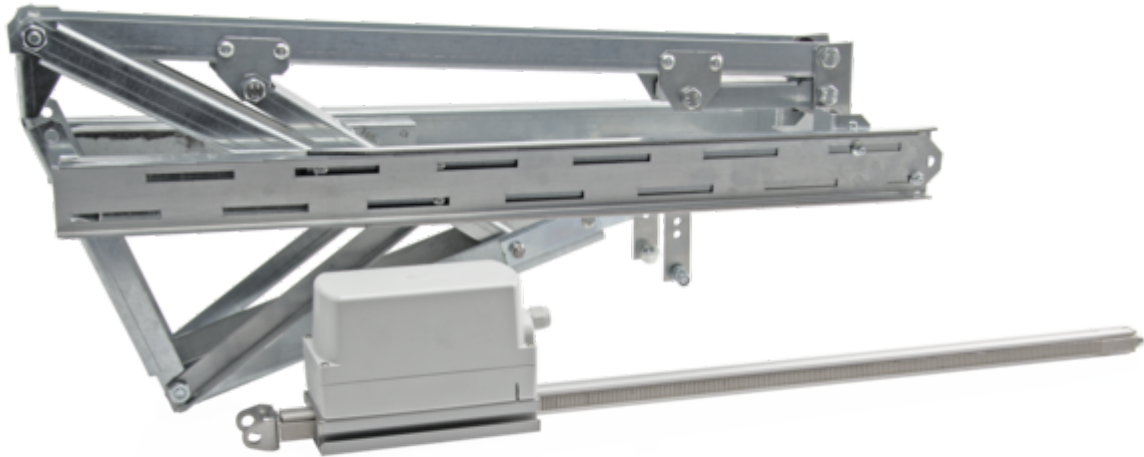
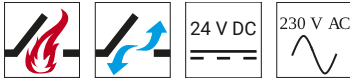


SDS 2-DU-230V-Set



Our SDS 2 skylight system with 3000 N force of pressure consists of a drive unit and specific installation set. For opening and closing skylights.

Performance features

- + For opening and closing skylights for ventilation and smoke extraction applications
- + System consisting of drive unit and skylight-specific installation set
- + With BSY+ motor and synchronised electronics controlled via microprocessor
- + Service life inspected with at least 20000 opening cycles for ventilation and an additional 1000 opening cycles for smoke extraction in accordance with EN 12101-2
- + Optimal aerodynamic values by quick opening to 172°
- + Power transmission structurally optimised, therefore minimum strain on ventilator frame and hinges
- + High type of protection for drive unit; can therefore also be used under difficult ambient conditions
- + Quick installation and easy handling thanks to modules pre-installed at the factory
- + Installation sets available for many skylights

Technical data

Specification per drive unit

SDS 2-DU-230V-Set

Supply	230 V AC / +10 % ... -15 % / 145 VA
Force of pressure	3000 N
Tensile force	3000 N
Nominal locking force	2200 N
Service life	20000 double strokes
OPEN running speed	7.1 mm/s
CLOSED running speed	7.1 mm/s
Wind load class	1500 Pa * **
Snow load class	500 Pa * **
Type of protection	IP 64
Temperature range	-5 °C ... +75 °C
Fire resistance	B300 (30 min / 300 °C)
Connection	2.5 m silicone cable
Weight	36 kg
Remark	2 installation sets required
Art. No.	27.900.04

* In accordance with EN 12101-2 (inspected with various manufacturers)

** Values for dome size 2.25 m². Change proportional for deviating dome sizes with compatible domes.

Example of application

