

# KA 34/800



The KA 34 SHEV chain drive with 300 N of force is suitable for mounted installation. Can be used nearly anywhere thanks to a variety of bracket solutions.

## Performance features

- + Can be used for openings for smoke exhaust; D+H Euro SHEV in accordance with EN 12101-2; and for daily ventilation
- + With motor electronics controlled via microprocessor
- + High-speed function (HS) for especially fast opening windows in case of fire (SHEV)
- + Special chain stabilisation
- + Pressure applications up to 700 mm, application tension stroke lengths >1000 mm possible
- + Relief of pressure on window gasket after closing process
- + Programmable drive functions and different drive parameters
- + Running speed in CLOSED direction decreases to 5 mm/s (passive closing edge protection)
- + Time-controlled reversing when an obstacle is detected in the CLOSED direction (active closing edge protection)

## Approvals / Certificates

Find out about permission details from your D+H Partner.



G 503007



5014068.18005-1



Article also available with the following permissions under other article numbers. Technical data may deviate.



CNBOP-PIB



# Technical data

## KA 34/800

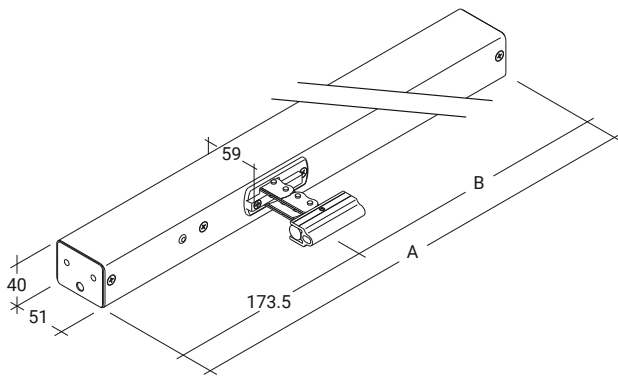
|                               |                                 |
|-------------------------------|---------------------------------|
| Supply                        | 24 V DC / $\pm 15\%$ / 1 A      |
| Duty cycle                    | 30 % (ON: 3 min. / OFF: 7 min.) |
| Force of pressure             | 300 N                           |
| Tensile force                 | 300 N                           |
| Nominal locking force **      | Max. 2600 N (2000 N ***)        |
| Service life                  | 20000 double strokes *          |
| Stroke                        | 800 mm                          |
| OPEN running speed            | 11.8 mm/s                       |
| OPEN running speed - SHEV     | 12.2 mm/s                       |
| CLOSED running speed          | 11.8 mm/s                       |
| Type of protection            | IP 32                           |
| Emission sound pressure level | LpA $\leq$ 70 dB(A)             |
| Temperature range             | -15 °C (-5 °C ***) ... +75 °C   |
| Fire resistance               | B300 (30 min / 300 °C)          |
| Housing                       | Aluminium                       |
| Surface                       | Powder-coated                   |
| Colour                        | White aluminium (~ RAL 9006)    |
| Connection                    | 2.5 m silicone cable            |
| Dimension A                   | 646 mm                          |
| Dimension B                   | 472.5 mm                        |
| W x H x D                     | 646 x 40 x 59 mm                |
| Weight                        | 2.6 kg                          |
| Remark                        | Observe pressure load diagram!  |
| Art. No.                      | 26.000.30                       |

\* For vertical use, please consult with D+H Sales!

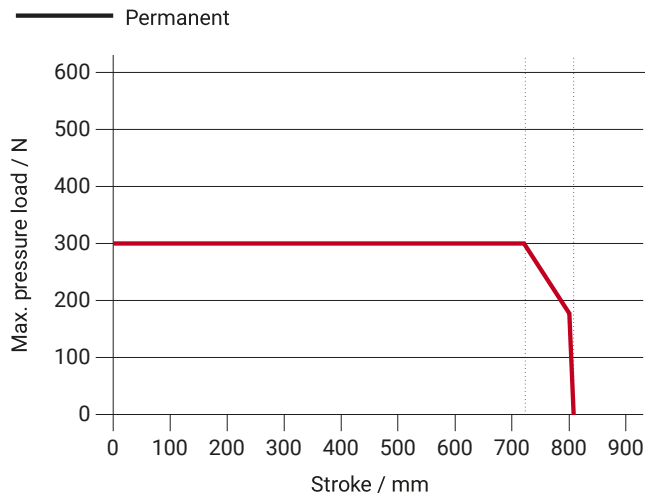
\*\* Depending on the mounting, \*\*\* in accordance with VdS 2580

# Dimensions

All specifications in mm



# Pressure load diagram



# Possible applications

- + Mounted installation
- + Frame mounting
- + Sash mounting
- + Application force
- + Application tension

