

# CDC-TW-0502-0800-1-ACB



Double the force/power and a consistent load distribution on the window sash: the CDC-TW-0502-0800-1-ACB features two chains, each with a stroke of 800 mm.

## Performance features

- + Can be used for openings for smoke exhaust; D+H Euro SHEV in accordance with EN 12101-2; and for daily ventilation
- + With BSY+ motor and synchronised electronics controlled via microprocessor
- + Low running noises thanks to the innovative acoustic decoupling of the drive components
- + 2 drive chains for optimal power application to the sash
- + Connection from either the left or the right side is possible (supply includes BUS signals)
- + Time-controlled reversing when an obstacle is detected in the CLOSED direction (active closing edge protection)
- + Available in all RAL colours
- + Integrated ACB (Advanced Communication Bus) bus interface with Modbus RTU protocol
- + The drive is integrated directly via open bus communication through the ACB (Advanced Communication Bus), e.g. in a building management system

## Approvals / Certificates

Find out about permission details from your D+H Partner.



5014068.16004



Article also available with the following permissions under other article numbers. Technical data may deviate.



# Technical data

CDC-TW-0502-0800-1-ACB

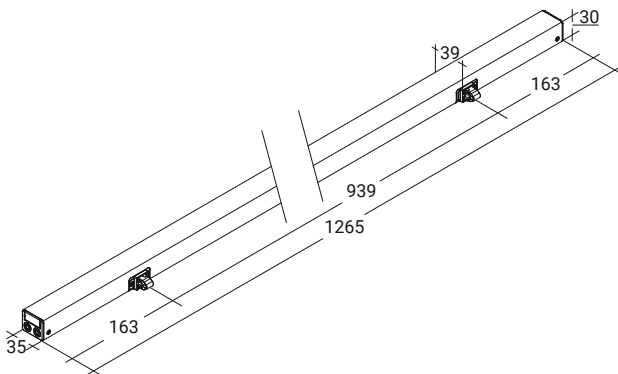
Supply	24 V DC / $\pm 15\%$ / 2 A
Duty cycle	30 % (ON: 3 min. / OFF: 7 min.)
Force of pressure	500 N
Tensile force	500 N
Nominal locking force **	3000 N
Service life	20000 double strokes *
Stroke	800 mm
OPEN running speed	6.7 mm/s
OPEN running speed - SHEV	0 mm/s
CLOSED running speed	6.7 mm/s
Type of protection	IP 32
Emission sound pressure level	LpA $\leq 35$ dB(A)
Temperature range	-15 °C (-5 °C ***) ... +75 °C
Fire resistance	B300 (30 min / 300 °C)
Housing	Aluminium
Surface	Powder-coated
Colour	White aluminium (~ RAL 9006)
Connection	2.5 m silicone cable
W x H x D	1,265 x 30 x 39 mm
Weight	3 kg
Art. No.	26.103.15

\* For vertical use, please consult with D+H Sales!

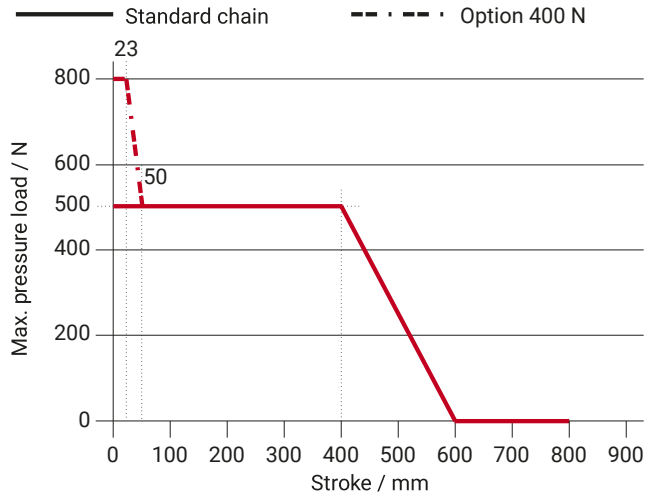
\*\* Depending on the mounting, \*\*\* in accordance with VdS 2580

## Dimensions

All specifications in mm



# Pressure load diagram



## Possible applications

- + Mounted installation
- + Application force
- + Frame mounting
- + Application tension
- + Sash mounting

