

# CDC-0252-0800-1-ACB M1-R



The CDC-0252-0800-1-ACB chain drive with 800 mm stroke can be seamlessly integrated into the building automation system thanks to ACB bus technology.

## Performance features

- + Can be used for openings for smoke exhaust; D+H Euro SHEV in accordance with EN 12101-2; and for daily ventilation
- + With BSY+ motor and synchronised electronics controlled via microprocessor
- + Perfectly suited for profile integrated and surface mounted installation
- + Low running noises thanks to the innovative acoustic decoupling of the drive components
- + Universal bracket sets for installation of all commonly available profile systems
- + Flexible overall lengths for customised strokes
- + Available in all RAL colours
- + Can be used for virtually all window opening types thanks to the left and right drive
- + Integrated ACB (Advanced Communication Bus) bus interface with Modbus RTU protocol
- + The drive is integrated directly via open bus communication through the ACB (Advanced Communication Bus), e.g. in a building management system

# Approvals / Certificates

Find out about permission details from your D+H Partner.



Article also available with the following permissions under other article numbers. Technical data may deviate.



# Technical data

## CDC-0252-0800-1-ACB M1-R

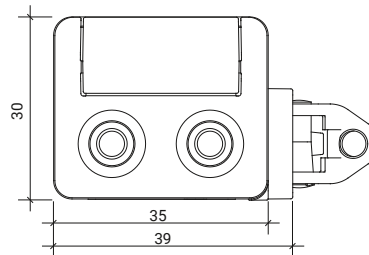
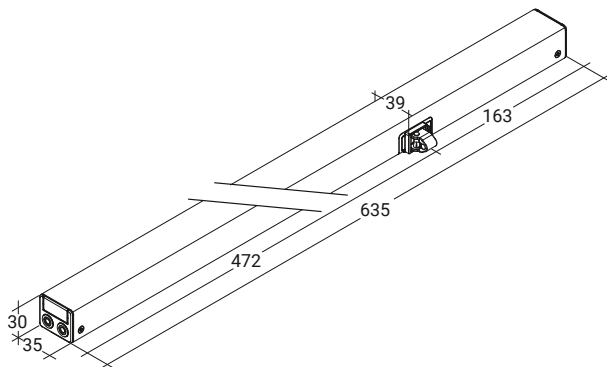
|                               |                                 |
|-------------------------------|---------------------------------|
| Supply                        | 24 V DC / $\pm 15\%$ / 1 A      |
| Duty cycle                    | 30 % (ON: 3 min. / OFF: 7 min.) |
| Force of pressure             | 250 N                           |
| Tensile force                 | 250 N                           |
| Nominal locking force **      | 1500 N                          |
| Service life                  | 20000 double strokes *          |
| Stroke                        | 800 mm                          |
| OPEN running speed            | 6.7 mm/s                        |
| OPEN running speed - SHEV     | 15 mm/s                         |
| CLOSED running speed          | 6.7 mm/s                        |
| Type of protection            | IP 32                           |
| Emission sound pressure level | LpA $\leq 35$ dB(A)             |
| Temperature range             | -15 °C (-5 °C ***) ... +75 °C   |
| Fire resistance               | B300 (30 min / 300 °C)          |
| Housing                       | Aluminium                       |
| Surface                       | Powder-coated                   |
| Colour                        | White aluminium (~ RAL 9006)    |
| Connection                    | 2.5 m silicone cable            |
| W x H x D                     | 635 x 30 x 39 mm                |
| Weight                        | 1.6 kg                          |
| Remark                        | Right type                      |
| Art. No.                      | 26.102.05                       |

\* For vertical use, please consult with D+H Sales!

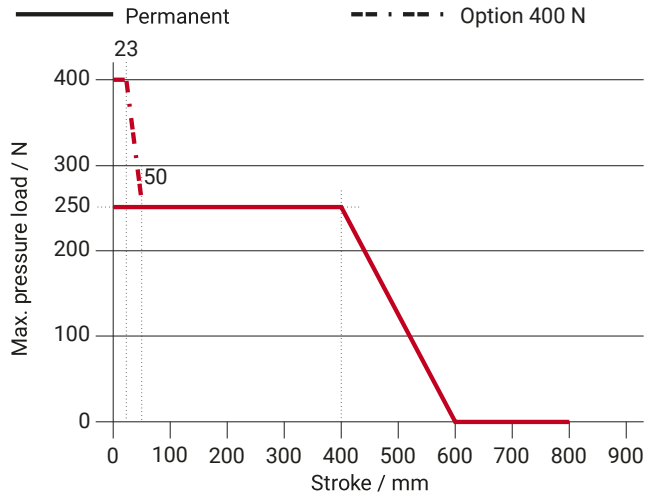
\*\* Depending on the mounting, \*\*\* in accordance with VdS 2580

## Dimensions

All specifications in mm



# Pressure load diagram



# Possible applications

- + Mounted installation
- + Application tension
- + Integrated installation
- + Trapezoidal application
- + Frame mounting
- + Drawbridge application
- + Sash mounting
- + Application force

