

KA-0500-1-ACB



The more powerful KA 54 variant is also equipped with ACB technology and can be controlled with millimetre precision. It can be used flexibly and universally in all smoke extraction and ventilation solutions. Mounted installation is also possible.

Performance features

- + Can be used for openings for smoke exhaust; D+H Euro SHEV in accordance with EN 12101-2; and for daily ventilation
- + Option of up to 8 drives in one synchronous group
- + High-speed function (HS) for especially fast opening windows in case of fire (SHEV) (Notice: High-speed function via ACB only possible with CPS-M or CPS-B)
- + Special chain stabilisation
- + Relief of pressure on window gasket after closing process
- + Programmable drive functions and different drive parameters
- + Time-controlled reversing when an obstacle is detected in the CLOSED direction (active closing edge protection)
- + Integrated ACB (Advanced Communication Bus) bus interface with Modbus RTU protocol
- + The drive is integrated directly via open bus communication through the ACB (Advanced Communication Bus), e.g. in a building management system

Approvals / Certificates

Find out about permission details from your D+H Partner.



Technical data

KA-0500-1-ACB

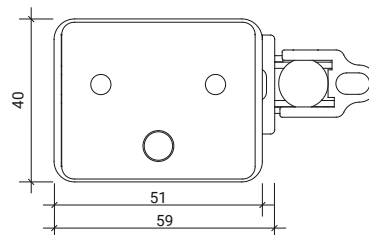
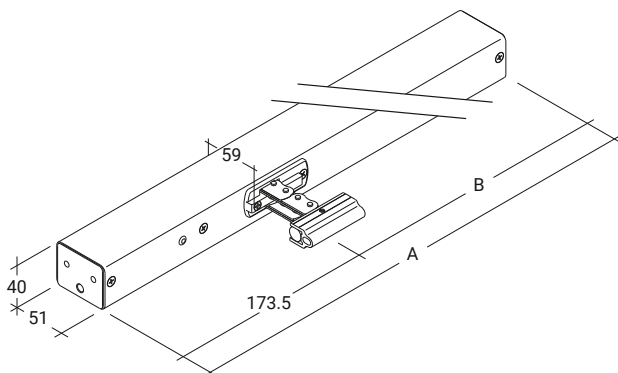
Supply	24 V DC / $\pm 15\%$ / 1.4 A
Duty cycle	30 % (ON: 3 min. / OFF: 7 min.)
Force of pressure	500 N
Tensile force	500 N
Nominal locking force **	Max. 2600 N (2000 N ***)
Service life	20000 double strokes *
Stroke	Configurable
OPEN running speed	7 mm/s
OPEN running speed - SHEV	13.3 mm/s
CLOSED running speed	7 mm/s
Type of protection	IP 32
Emission sound pressure level	LpA ≤ 70 dB(A)
Temperature range	-15 °C (-5 °C ***) ... +75 °C
Fire resistance	B300 (30 min / 300 °C)
Housing	Aluminium
Surface	Powder-coated
Connection	Silicone cable
Dimension A	0 mm
Dimension B	0 mm
Weight	0 kg
Remark	Variable equipment possible
Art. No.	26.021.00

* For vertical use, please consult with D+H Sales!

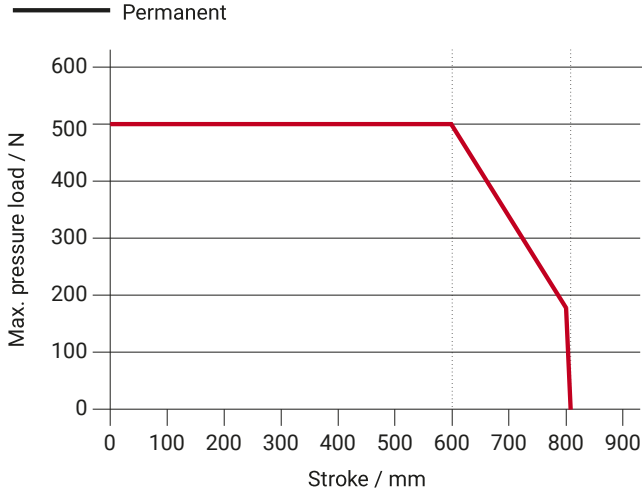
** Depending on the mounting, *** in accordance with VdS 2580

Dimensions

All specifications in mm



Pressure load diagram



Possible applications

- + Mounted installation
- + Application tension
- + Frame mounting
- + Drawbridge application
- + Sash mounting
- + Application force

