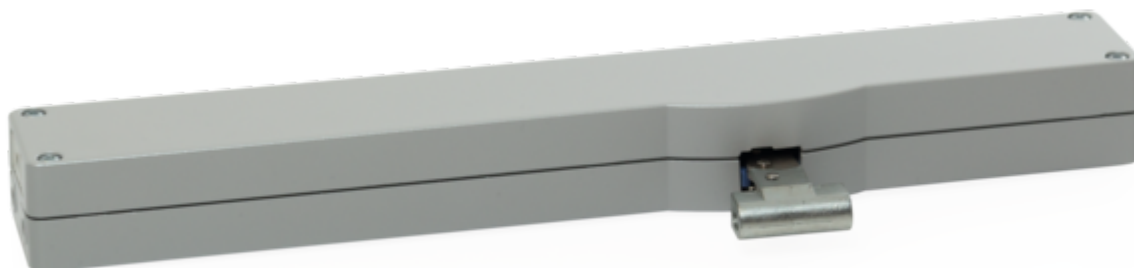
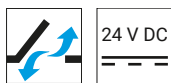


VCD 203/250 (WH)



The 24 V VCD chain drive is especially quiet when opening and closing façade windows, which makes it ideal for daily ventilation mode. Click to get more information from D+H!

Performance features

- + For façade windows, roof windows and ventilation flaps in conservatories
- + With motor electronics controlled via microprocessor
- + "TMS+" tandem safety function for operating 2 drives on one sash
- + Option of chain stroke programming via magnet
- + Reprogrammed opening stroke is transmitted to the tandem drive
- + Simple connection via plug connector
- + Programmable drive functions and different drive parameters
- + Running speed in CLOSED direction decreases to 5 mm/s (passive closing edge protection)
- + Time-controlled reversing when an obstacle is detected in the CLOSED direction (active closing edge protection)
- + With optional burglary-resistant effect and maximum locking force of 4000 N

Approvals / Certificates

Find out about permission details from your D+H Partner.



5014068.22003

Article also available with the following permissions under other article numbers. Technical data may deviate.



Technical data

VCD 203/250 (WH)

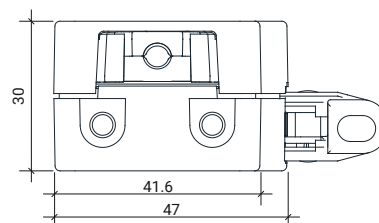
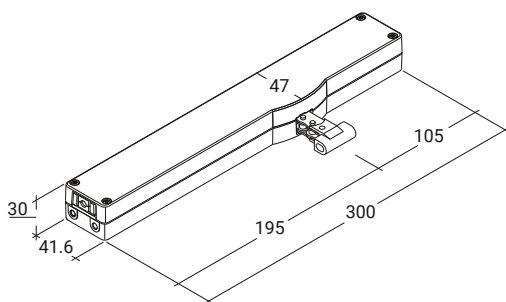
| | |
|-------------------------------|---------------------------------|
| Supply | 24 V DC / $\pm 20\%$ / 0.35 A |
| Duty cycle | 30 % (ON: 3 min. / OFF: 7 min.) |
| Force of pressure | 200 N |
| Tensile force | 200 N |
| Nominal locking force ** | 2000 N / 4000 N *** |
| Service life | 20000 double strokes * |
| Stroke | 250 mm |
| OPEN running speed | 6 mm/s |
| CLOSED running speed | 6 mm/s |
| Type of protection | IP 30 |
| Emission sound pressure level | LpA \leq 46 dB(A) |
| Temperature range | 0 °C ... +60 °C |
| Housing | Die-cast zinc |
| Surface | Powder-coated |
| Colour | White (~ RAL 9016) |
| Connection | 2.5 m PVC-cable |
| W x H x D | 300 x 30 x 47 mm |
| Weight | 1.4 kg |
| Art. No. | 25.150.06 |

* For vertical use, please consult with D+H Sales!

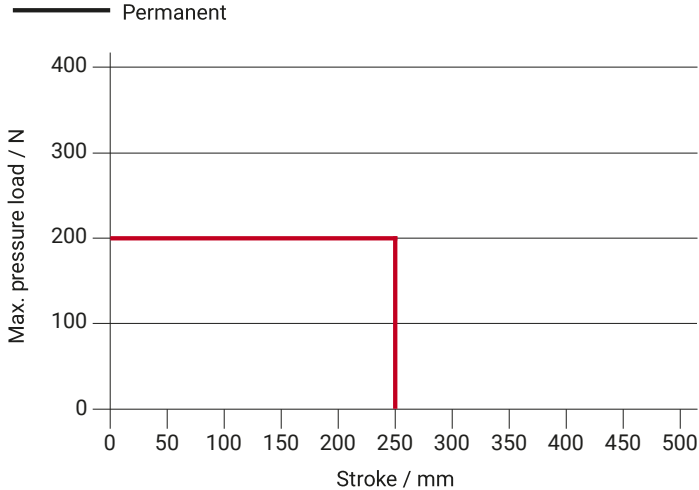
** Depending on the mounting, *** optionally increased nominal locking force

Dimensions

All specifications in mm



Pressure load diagram



Possible applications

- + Mounted installation
- + Frame mounting
- + Sash mounting
- + Application force
- + Application tension

